

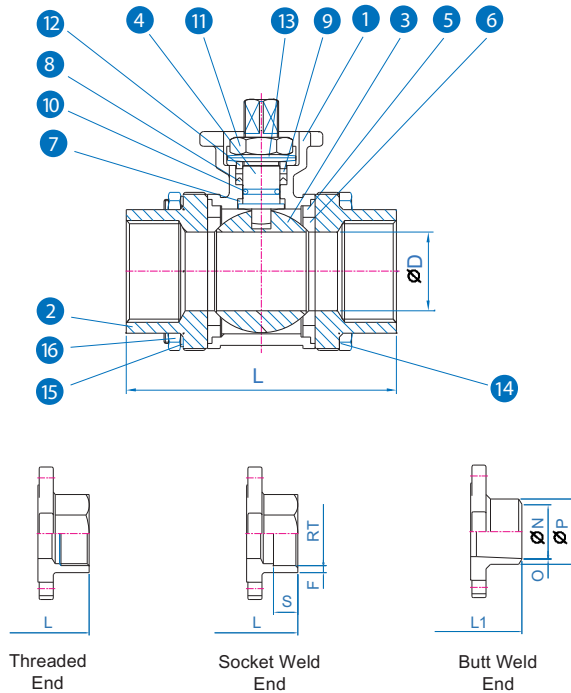


SERIES 59S

ECONOMICAL 3 PIECE DIRECT-MOUNTING BALL VALVE

FEATURES

- Blow-Out Proof Stem
- Stainless Steel Ball and Stem are Standard
- Investment Casting Body and Caps
- Easy Installation with Wide Selection of End Fittings
- Three-Piece Swing-Out Design Allows In-Line Maintenance
- Full Port From 1/4" to 4"
- Self-Adjusting Floating Ball Enables Tight Internal Seal

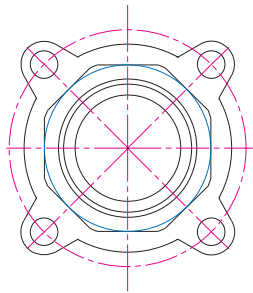


MATERIAL OF CONSTRUCTION

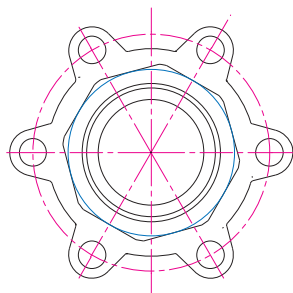
NO.	PART NAME	MATERIAL	Q'TY
1	BODY	CF8M / 1.4408	1
2	END CAP	CF8M / 1.4408	2
3	BALL	316SS	1
4	STEM	316SS	1
5	JOINT GASKET	PTFE	2
6	SEAT	TFM 1600	2
7	STEM SEAL	PRTFE	1
8	V-RING PACKING	PTFE	1 SET
9	BUSHING	50 %S.S.Powder filled PTFE	1
10	O-RING	VITON	1
11	STEM NUT	304SS	1
12	GLAND	304SS	1
13	BELLEVILLE WASHER	301SS	2
14	BOLT	304SS	4-6
15	WASHER	304SS	4-12
16	BOLT NUT	304SS	4-12

DIMENSIONS (mm)

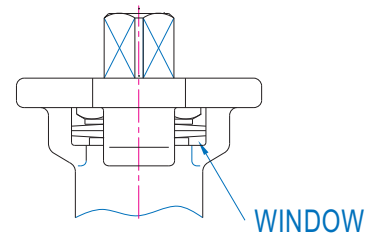
SIZE	ØD	F	L	L1	ØN	O	ØP	RT	S	ISO 5211
1/4"	11.60	3.60	60	70	11.60	1	18.00	14.20	11	F03/F04
3/8"	12.50	2.00	60	70	14.00	1	18.00	17.70	11	F03/F04
1/2"	15.00	2.00	69	69	17.00	1	22.70	21.90	12	F03/F04
3/4"	20.00	2.60	78	78	22.50	1	27.70	27.20	14	F03/F04
1"	25.00	3.20	84	84	26.00	1	33.50	33.90	14	F04/F05
1-1/4"	32.00	5.35	104	104	35.00	1	42.20	42.70	15	F04/F05
1-1/2"	38.00	5.70	118	119	41.50	1	48.80	48.80	17	F05/F07
2"	50.00	6.10	129	131	53.00	1	61.00	61.30	19	F05/F07
2-1/2"	65.00	7.15	185	190	69.40	1	78.00	74.00	21	F07/F10
3"	80.00	7.60	205	220	82.00	1	90.70	90.00	25	F07/F10
4"	100.00	7.85	230	269	103.00	1	115.80	115.60	30	F10



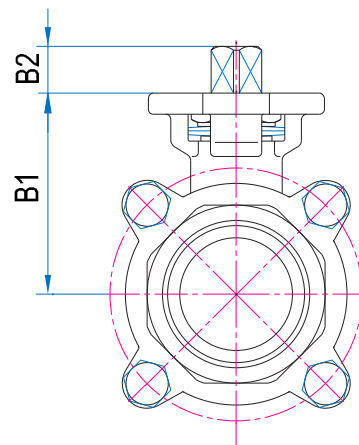
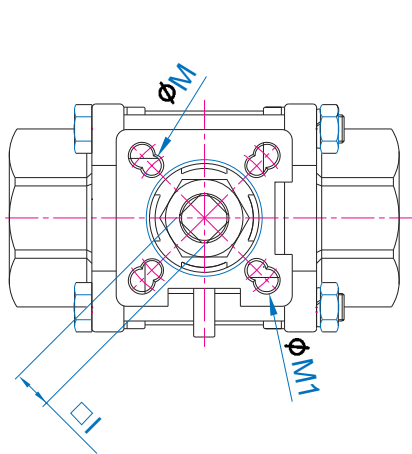
1/4"-2"



2-1/2"-4"



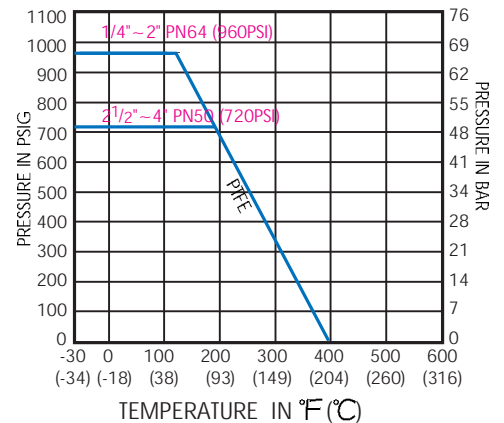
WINDOW



DIMENSIONS (mm)

SIZE	B1	B2	Ø M	Ø M1	I
1/4"	40.20	9.00	5.50	5.50	9
3/8"	40.20	9.00	5.50	5.50	9
1/2"	40.20	9.00	5.50	5.50	9
3/4"	43.40	9.00	5.50	5.50	9
1"	52.00	11.00	5.50	6.50	11
1-1/4"	56.50	11.00	5.50	6.50	11
1-1/2"	65.70	15.50	6.50	8.50	14
2"	73.90	15.50	6.50	8.50	14
2-1/2"	93.00	16.50	9.00	11.00	17
3"	102.00	16.50	9.00	11.00	17
4"	132.00	21.50	N/A	11.00	22

SPECIFICATIONS



ORDERING INFORMATION

59S - NPT FULL PORT SS316 PTFE 1-1/2" 1000 cwp STANDARD HANDLE
59S - **N** **1** **1** **T** **G** - **D** **2**

END CAP TYPE	PORT TYPE	BODY/END CAP MATERIAL	SEAT MATERIAL	SIZE	PRESSURE	HANDLE TYPE
B BUTT WELD	1 FULL PORT	1 316 CF8M 1.4408	H TFM1600	A 1/4"	C PN40/600cwp	1 STANDARD HANDLE W/LOCK
S SOCKET WELD	0 OTHER	4 WCB 1.0619	T PTFE	B 3/8"	D PN63/1000cwp	2 STANDARD HANDLE
N THREADED END(NPT)				C 1/2"		
P THREADED END(PF)				D 3/4"		
H THREADED END(PT)				E 1"		
				F 1-1/4"		
				G 1-1/2"		
				H 2"		
				J 2-1/2"		
				K 3"		
				L 4"		